

TORK®

SPECIFICATION SHEET

Project Info:	Type:
Job Ref:	Catalog Number:
Approvals:	Date:

5008 SERIES

Thermal-Type Turn-Locks

APPLICATIONS

For use on streets, highways and other luminaries equipped with locking type receptacles, where most stringent surge protection is needed.

FEATURES

Sensor: Conformal coated cadmium sulphide photocell resists effects of moisture and airborne contaminants. Photocell responds to the light spectrum near to that of a human eye.

- **5008ME:** Uses a silicone photo sensor instead of a CdS photocell.

Operation: Delayed response prevents false switching due to light from vehicles or lighting, etc.

Standards: Meets UL773 and ANSI C136.10 including color designations. Also meets EEI NEMA standards. ANSI DOME COLOR-CODE: Yellow 480VAC

Housing: Polycarbonate housing and window, UV stabilized for permanent color. Provides high impact performance, flammability resistance, and electrically safe operations.

SPECIFICATIONS

ON/OFF: Turn-ON is 1 to 3 fc. Turn-OFF to Turn-ON ratio is 5 max.

Time Delay: ON and OFF.

Cell: CdS, epoxy conformal coated ½" and 1" diameter models.

Surge Protection: 380 joule MOV (metal oxide varistor) exceeds ANSI and NEMA requirements.

Locking Prongs: Solid brass for maximum corrosion resistance and electrical conductivity.

Power Consumption: Averages under 1 watt.

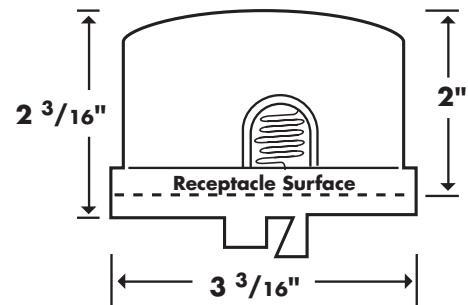
Temperature Range: -40 °F to +140 °F (-40 °C to +60 °C).

Fail Mode: ON.

Warranty: 5 years.



5008ME



ORDERING INFO

CAT. NO.	CERTIFICATION	UPC CODE	VOLTAGE VAC 50/60Hz	LIGHT SENSOR	RATING	
					TUNGSTEN	BALLAST
5008ME	Not UL or CSA	61020	480	Silicone Sensor	7500W	4800VA